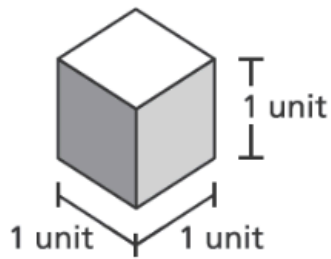


Solve each problem below. Make sure you show all your work.

During a hike, 3 friends equally shared $\frac{1}{2}$ pound of trail mix. What amount of trail mix, in pounds, did each friend receive?

- A $\frac{1}{6}$
- B $\frac{3}{2}$
- C $3\frac{1}{2}$
- D 6

What is the volume of the cube shown below?

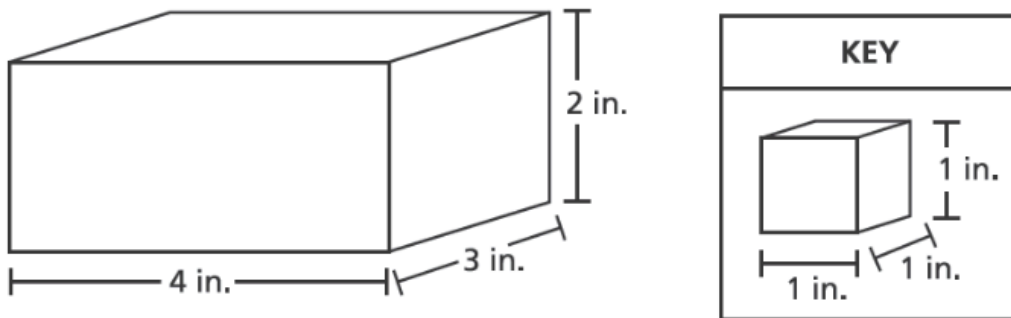


- A 1 cubic unit
- B 3 cubic units
- C 4 cubic units
- D 6 cubic units

Each day last week, Ms. Wilson walked $\frac{3}{4}$ mile. What is the total distance, in miles, that Ms. Wilson walked in 4 days?

- A 1
- B 2
- C 3
- D 4

A right rectangular prism is shown below. The volume of the prism is determined by using unit cubes.



Which statement describes how to determine the volume of the prism in cubic units?

- A Add the length, width, and height: $4 + 3 + 2$.
- B Add the length and width and then multiply by the height: $(4 + 3) \times 2$.
- C Determine the area of the base and add the number of layers of cubes: $(4 \times 3) + 2$.
- D Determine the area of the base and multiply by the number of layers of cubes: $(4 \times 3) \times 2$.

The table below shows the distance some players hit a softball.

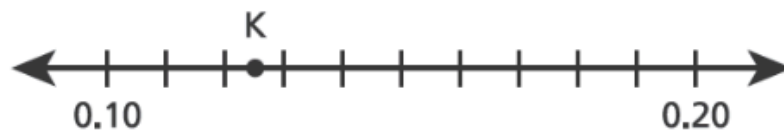
SOFTBALL DISTANCES

Name	Distance
Amalia	36 inches
Nick	6 feet
Lila	108 inches

Pablo hit the softball 2 yards. Which player or players hit the softball the same distance as Pablo?

- A Amalia only
- B Nick only
- C Lila only
- D Amalia and Nick

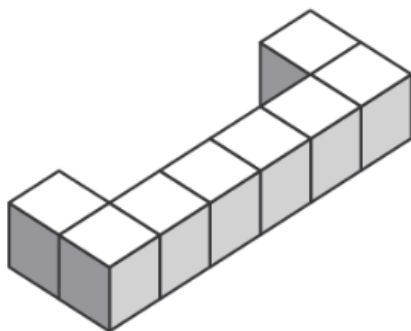
Point K is shown on the number line below.



Which number sentence **best** describes the value represented by point K?

- A $K > 0.13$
- B $K < 0.13$
- C $K = 0.15$
- D $K = 0.35$

The figure below is made of unit cubes.



How many unit cubes need to be added to the figure so that it will have a total volume of 12 cubic units?

- A 1
- B 2
- C 4
- D 8